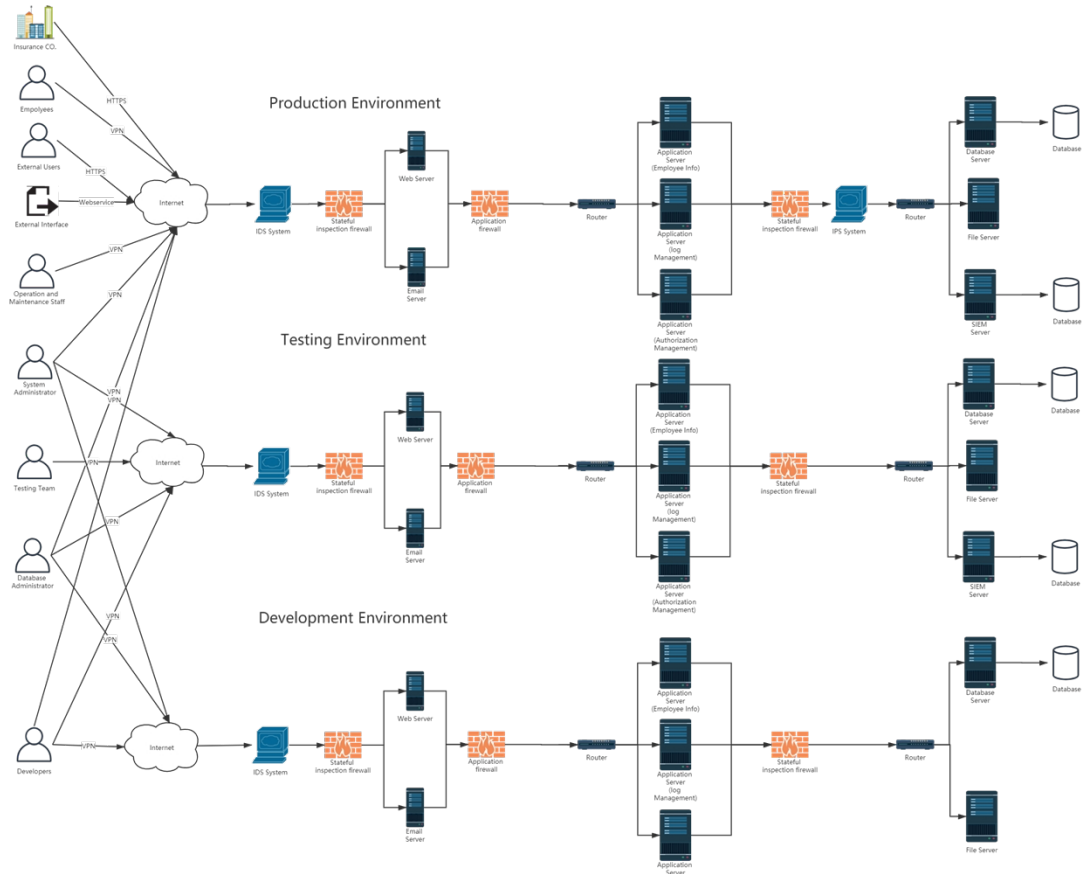
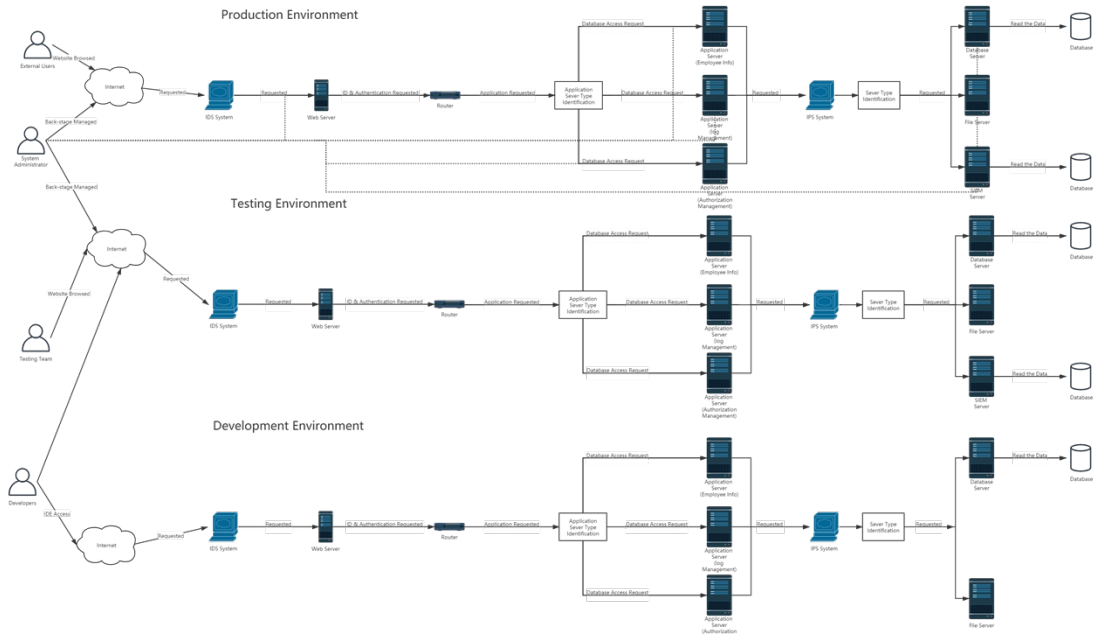


# Hope Health Care Information System

## Network Architecture Diagram



## Data Flow Diagram



Information System Components and Boundaries Diagram

